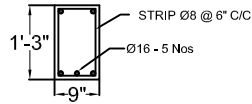
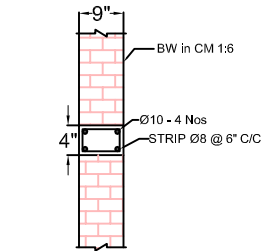


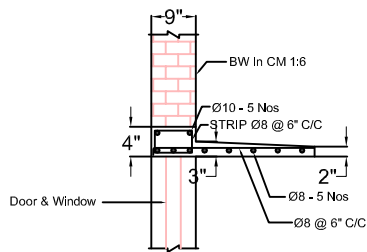
PLINTH DETAILS



ROOF BEAM DETAILS



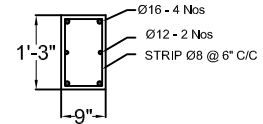
CONTINUES LINTEL DETAILS



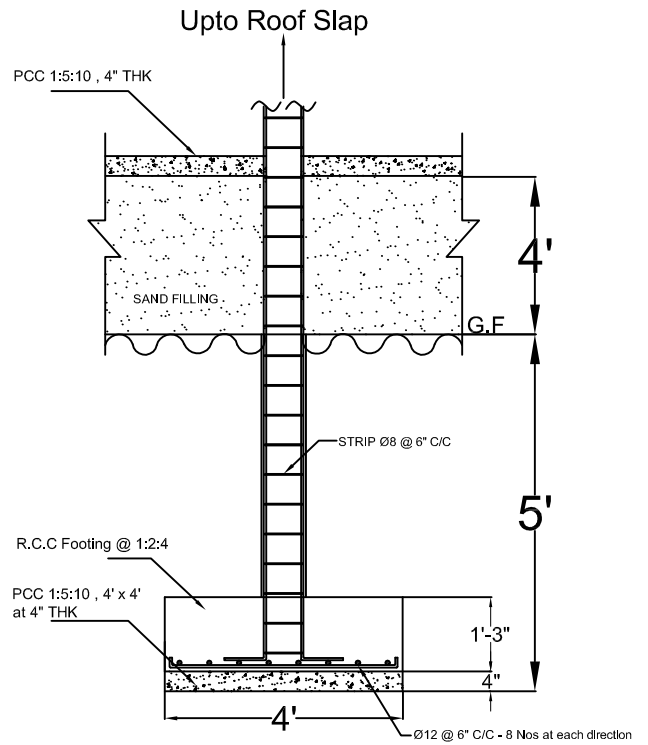
Lintel Over Openings & Sun Shade Details

- 1) For ROOF SLAP, Ø10 Main Rod and Ø8 Distributor Rod
- 2) For 16' x16' Hall, 2 Way Slab

COLUMN DETAILS



PLAN VIEW



SECTION VIEW

CLIENT: M/S MANIKANDAN				DRN	MANI
				CHD	
PROJECT: PROPOSED RESIDENTIAL BUILDING				APPD	
				DRAWING NO:	
DRAWING: COLUMN DETAILS	DATE	REV	DESCRIPTION	CKD	

CLIENT: M/S MANIKANDAN				DRN	MANI
				CHD	
PROJECT: PROPOSED RESIDENTIAL BUILDING				APPD	
				DRAWING NO:	
DRAWING: PLINTH, ROOF BEAM & LINTEL DETAILS	DATE	REV	DESCRIPTION	CKD	